



2013 DRUM & HARDWARE RETAIL PRICE LIST

Effective February 1, 2013



2013 DRUM & HARDWARE RETAIL PRICE LIST

Effective February 1, 2013

Mapex Warranty	3
Black Panther Drum Collection.....	4
MyDentity	6
Saturn IV MH.....	8
Saturn IV MH Exotic.....	11
Meridian Maple.....	14
Horizon Birch	16
Voyager.....	18
Black Panther Snare Drums.....	20
MPX Snare Drums.....	20
Mapex Snare Drums.....	20
Mapex Hardware	21
Mapex Accessories.....	22

THE MAPEX WARRANTY

It's one of the best warranties in the business. A lifetime warranty on drum shells, one year on finishes and hoops and an incredible five years on hardware. All Mapex products are built in Mapex's ISO-9001 certified factory, which means you can count on superior quality — right out of the box.

MAPEX drums, hardware, stands and accessories, except as noted, purchased from an authorized MAPEX dealer, are warranted to the original retail purchaser against defective material and workmanship. Warranty coverage is not transferable and shall be valid by item and subject to terms and conditions indicated below. The original retail purchaser must include a copy of their original sales receipt or provide proof of sale by an authorized MAPEX dealer to activate warranty service without charge.

WARRANTY COVERAGE AND TIME PERIOD

Shells

Drum shells are covered under a limited lifetime warranty to the original retail purchaser against splitting, ply separation, material failure and going out of round as a result of manufacturing. Defects caused as a result of wear, handling, negligence, temperature, humidity, corrosive atmosphere or other external causes are not covered under this limited lifetime warranty.

Finish & Hoops

Both lacquered finishes and hoops and all wrapped finishes are warranted to the original retail purchaser against defective material and workmanship for one (1) year from date of purchase. Defects caused as a result of wear, handling, negligence, temperature, humidity, corrosive atmosphere or other external causes are not covered under this limited one (1) year warranty.

Stands, Pedals & Hardware

MAPEX stands, pedals and hardware are warranted to the original retail purchaser against defective material and workmanship for five (5) years from date of purchase. Defects caused as a result of normal wear, handling, negligence,

temperature, humidity, corrosive atmosphere or other external causes are not covered under this limited five (5) year warranty.

The following items are not covered under the MAPEX Warranty: Heads, plating, pedal beaters, springs, snares, straps, normal wear and tear, sound or damage from shipping and transportation. The MAPEX Warranty is rendered void on all items that have been altered, modified or subjected to improper operation, misuse, neglect or exposure to extreme conditions.

OWNER'S RESPONSIBILITY

To Obtain Warranty Service

A Warranty return should be handled by any authorized MAPEX dealer from which the instruments were purchased. All repairs under terms of this Warranty must be handled by Mapex USA. Any instrument to be returned under this Warranty requires a Return Authorization Number shown on the outside of the carton and must be shipped prepaid. Mapex USA will then inspect and evaluate the extent of warranty coverage and notify dealer of claimant. Mapex USA will repair or replace, at its option, any instrument or part thereof, found to be defective and covered under terms of the MAPEX Warranty. Repaired instruments will be returned freight collect.

Warranty Limitations

This Limited Warranty is made in lieu of all other warranties, either written or implied and is subject to the limitations contained herein. It is extended to the original retail purchaser only and not transferable. Proof of purchase is required. Under terms of this warranty, Mapex USA accepts no responsibility for incidental or consequential damages of any nature associated with the use of MAPEX products. This warranty gives you specific legal rights and you may have other rights which vary from state to state and could affect this warranty.

BLACK PANTHER DRUM COLLECTION

The Black Panther Drum Set Collection contains a mix of unique, hand-made sets that complement their snare drum namesakes in construction and sound. The Blaster and the Velvetone were the first in the series and remain available for serious drum enthusiasts. Following these was the award winning Retrosonic, a limited edition classic all walnut drum set. Now the long awaited fourth edition, the Black Widow is available for 2013.

THE BLACK PANTHER COLLECTION APPOINTMENTS

- **NEW** SONIClear™ Rack Tom Suspension
- **NEW** SONIClear Floor Tom Legs
- **NEW** Low-Contact Die Cast Cushioned Bass Drum Claws
- **NEW** Memory-Mark Bass Drum Spurs
- **NEW** Optional Free-Floating Bass Drum Tom Mount
- Single-Point-of-Contact Lugs
- 2.3mm Sonic Saver Hoops
- Remo Ambassador Suede Batter Drumheads
- Remo P3 Suede Batter Bass Drumheads

NEW THE BLACK WIDOW

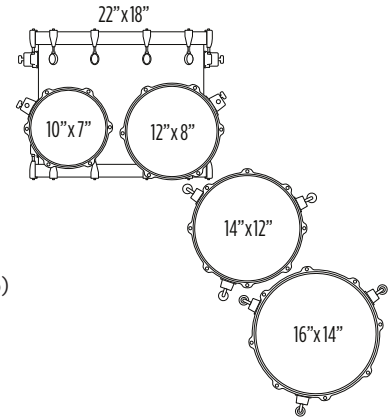
With the Black Widow, Mapex has taken a traditional thin maple shell and combined it with a centered bearing edge with rounded back-cut to produce a classic full-bodied and warm tone. But don't be fooled by its dark beauty...the Black Widow is a predator with a deadly bite.

Shell & Hardware Specifications

6ply, 7.2mm Bass Drums, 6ply, 5.1mm Toms, Transparent Black Lacquer (TB), Brushed Black Hardware

Component Set

22"x18" Bass Drum (no mount), 10"x7" & 12"x8" Toms, 14"x12" & 16"x14" Floor Toms, SONIClear Floor Tom Legs (x6)



MODEL

BPNW628XFLT B - 5pc Component Pack

MSRP

4,419.00

THE BLASTER

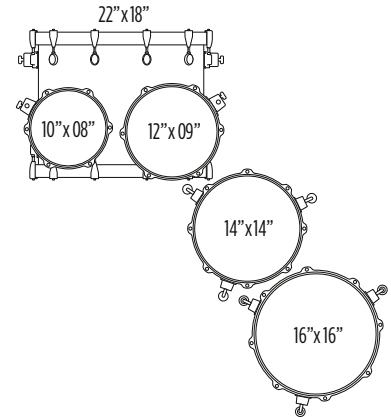
2013 Blaster equipped with all New Black Panther Collection appointments

Shell & Hardware Specifications

10ply, 5.1mm USA Maple with 3.4mm Walnut Edge-Rings Toms & Snare Drums
10ply, 7.2mm USA Maple with 3.4mm Walnut Edge-Rings Bass Drums
Walnut Burst / Brushed Black Hardware

5pc "Studioease" Component Set

22"x18" Bass Drum, 10"x8" & 12"x9" Toms, 14"x14" & 16"x16" Floor Toms, SONIClear Floor Tom Legs (x6)



MODEL

BPNL628XLWU - 5pc Blaster

MSRP

4,419.00

THE VELVETONE

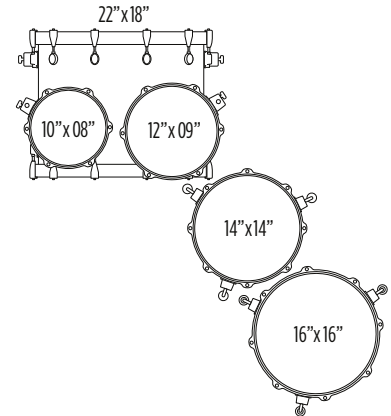
2013 Velvetone equipped with all New Black Panther Collection appointments

Shell & Hardware Specifications

9ply, 8.1mm Maple/Walnut/Maple, Butter Burst Burl, Chrome Hardware

5pc "Studioease" Component Set

22"x18" Bass Drum, 10"x8" & 12"x9" Toms, 14"x14" & 16"x16" Floor Toms, SONIClear Floor Tom Legs (x6)



MODEL

BPNV628XCUB - 5pc Velvetone

MSRP

4,419.00

BLACK PANTHER DRUM COLLECTION

COMPONENTS

BLACK WIDOW	TYPE	SIZE	THE VELVETONE	THE BLASTER	TYPE	SIZE	MSRP
BPNWB2018LATB	Bass Drum	20"x18"	BPNVB2018CAUB	BPNLB2018LAWU	Bass Drum	20"x18"	1,799.00
BPNWB2218LATB	Bass Drum	22"x18"	BPNVB2218CAUB	BPNLB2218LWU	Bass Drum	22"x18"	1,899.00
BPNWB2418LTB	Bass Drum	24"x18"	BPNVB2418CUB	BPNLB2418LAWU	Bass Drum	24"x18"	1,999.00
BPNWT807LTB	Tom	08"x7"	BPNVT807CUB	BPNLT807LWU	Tom	08"x7"	649.00
BPNWT1007LTB	Tom	10"x7"	BPNVT1008CUB	BPNLT1008LWU	Tom	10"x8"	669.00
BPNWT1208LTB	Tom	12"x8"	BPNVT1209CUB	BPNLT1209LWU	Tom	12"x9"	689.00
BPNWT1310LTB	Tom	13"x10"	BPNVT1310CUB	BPNLT1310LWU	Tom	13"x10"	709.00
BPNWF1412LTB	Floor Tom	14"x12"	BPNVF1414CUB	BPNLF1414LWU	Floor Tom	14"x14"	1,049.00
BPNWF1614LTB	Floor Tom	16"x14"	BPNVF1616CUB	BPNLF1616LWU	Floor Tom	16"x16"	1,079.00
BPNWF1816LTB	Floor Tom	18"x16"	BPNVF1816CUB	BPNLF1816LWU	Floor Tom	18"x16"	1,099.00



FALCON HARDWARE PACKS - (ORDER FALCON HW PACK WITH ANY BLACK PANTHER COMPONENT SET AND RECEIVE ELITE PRICING)

MODEL	BRACED	BOOM STAND	CYMBAL STAND	HI-HAT	PEDAL	SNARE STAND	MSRP
WITH SINGLE PEDAL	Double	BF1000 (x2)	-	HF1000	PF1000	SF1000	1,285.00
WITH DOUBLE PEDAL	Double	BF1000 (x2)	-	HF1000	PF1000TW	SF1000	1,635.00

MAPEX HARDWARE PACKS

MODEL	BRACED	BOOM STAND	CYMBAL STAND	HI-HAT	PEDAL	SNARE STAND	MSRP
HP7004B	Double	B700 (x2)		H700	No Pedal	S700	529.00
HP5005	Double	B500	C500	H500	P500	S500	426.00
HP3104B	Single	B310 (x2)		H310	No Pedal	S310	359.00

MYDENTITY CUSTOM DRUM SHOP

With over 500 million combinations of shell finish, hardware finish, shell material, configurations and sizes, Mapex MyDentity offers drummers a complete custom drum experience at a fraction of the cost and lead-time of other custom options. The online design tool is simple to use and directs the sale through Mapex's network of retailers so they can benefit from the sale without carrying the burden of inventory. The drums are finished and assembled in the MyDentity custom shop in Nashville, TN.

MYDENTITY PROGRAM DEALER BENEFITS

1. A simple custom drum experience with over 500 million potential combinations
2. Affordable pricing
3. Approximately 30 business day lead-time after receipt of purchase order
4. Standard dealer profit margins with zero inventory risk
5. Mapex quality craftsmanship using premium materials
 - » 100% maple or birch shells or mix the Birch and Maple within the set
 - » 2.3mm Power Hoops
 - » ITS Mounts
 - » Quality Coverings

NEW FINISHES FOR 2013

- DZS Gamma Gold Multi-Sparkle
- DAS Halogen Gold Multi-Sparkle
- FSS Green/Silver Sparkle Fade
- DTO Orange Geo Pearl
- DTW Silver/White Geo Pearl
- DDG Spiral Green/Black Pearl
- DDR Spiral Blue/Red Pearl
- DDB Spiral Blue/Black Pearl
- DSR Red Satin Reptile

NEW HARDWARE COLORS FOR 2013

- GE Graphite Gray

Create your MyDentity at mapexdrums.com/MyDentityUSA.

GO to The MyDentity Dealer reference site at mydentity.mapexdrums.com/salesadmin.aspx.

PLEASE NOTE: TO INSURE ACCURACY AND DELIVERY TIME WHEN PLACING YOUR MYDENTITY ORDER PLEASE SUPPLY THE CUSTOMER REFERENCE NUMBER.

MODEL	MSRP
MyD4 - Any Combination of 4 sizes with 1 Bass Drum	1,549.00
MyD5 - Any Combination of 5 sizes with 1 Bass Drum	1,729.00
MyD6 - Any Combination of 6 sizes with 1 Bass Drum	1,919.00

BASS DRUMS

SIZES	MAPLE	BIRCH	MSRP
18"x16"	IDMCB1816NM	IDBCB1816NM	570.00
18"x16"	IDMCB1816	IDBCB1816	610.00
20"x16" NEW	IDMCB2016NM	IDBCB2016NM	630.00
20"x16" NEW	IDMCB2016	IDBCB2016	670.00
20"x18"	IDMCB2018NM	IDBCB2018NM	630.00
20"x18"	IDMCB2018	IDBCB2018	670.00
20"x20"	IDMC2020NM	IDBCB2020NM	700.00
20"x20"	IDMCC2020	IDBCB2020	740.00
22"x16" NEW	IDMC2216NM	IDBCB2216NM	760.00
22"x16" NEW	IDMC2216	IDBCB2216	800.00
22"x18"	IDMC2218NM	IDBCB2218NM	760.00
22"x18"	IDMC2218	IDBCB2218	800.00
22"x20"	IDMCB2220NM	IDBCB2220NM	820.00
22"x20"	IDMCB2220	IDBCB2220	860.00
24"x16" NEW	IDMC2416NM	IDBCB2416NM	880.00
24"x16" NEW	IDMC2416	IDBCB2416	920.00
24"x18"	IDMC2418NM	IDBCB2418NM	880.00
24"x18"	IDMC2418	IDBCB2418	920.00
26"x16"	IDMCB2616NM	IDBCB2616NM	940.00
26"x16"	IDMCB2616	IDBCB2616	980.00

"NM" indicates no drum mount.

MYDENTITY CUSTOM DRUM SHOP

TOMS

SIZES	MAPLE	BIRCH	MSRP
8"x6"	IDMCT0806	IDBCT0806	210.00
8"x7"	IDMCT0807	IDBCT0807	230.00
10"x7"	IDMCT1007	IDBCT1007	270.00
10"x8"	IDMCT1008	IDBCT1008	270.00
12"x7"	IDMCT1207	IDBCT1207	290.00
12"x8"	IDMCT1208	IDBCT1208	290.00
12"x9"	IDMCT1209	IDBCT1209	290.00
13"x9"	IDMCT1309	IDBCT1309	300.00
13"x10"	IDMCT1310	IDBCT1310	300.00

FLOOR TOMS

SIZES	MAPLE	BIRCH	MSRP
14"x12"	IDMCF1412	IDBCF1412	350.00
14"x14"	IDMCF1414	IDBCF1414	350.00
15"x13"	IDMCF1513	IDBCF1513	360.00
15"x15"	IDMCF1515	IDBCF1515	360.00
16"x14"	IDMCF1614	IDBCF1614	380.00
16"x16"	IDMCF1616	IDBCF1616	380.00
18"x16"	IDMCF1816	IDBCF1816	440.00

SNARE DRUMS

SIZES	MAPLE	BIRCH	MSRP
10"x5.5"	IDMCS1055	IDBCS1055	230.00
12"x6"	IDMCS1206	IDBCS1206	290.00
13"x6"	IDMCS1306	IDBCS1306	290.00
14"x5.5"	IDMCS1455	IDBCS1455	340.00
14"x6"	IDMCS1406	IDBCS1406	350.00
14"x7"	IDMCS1407	IDBCS1407	360.00
14"x8" NEW	IDMCS1408	IDBCS1408	360.00

NEW FALCON HARDWARE PACKS - (ORDER FALCON HW PACK WITH ANY MYDENTITY SHELL PACK & RECEIVE ELITE PRICING)

MODEL	BRACED	BOOM STAND	CYMBAL STAND	HI-HAT	PEDAL	SNARE STAND	MSRP
WITH SINGLE PEDAL	Double	BF1000 (x2)	-	HF1000	PF1000	SF1000	1,285.00
WITH DOUBLE PEDAL	Double	BF1000 (x2)	-	HF1000	PF1000TW	SF1000	1,635.00

MAPEX HARDWARE PACKS

MODEL	BRACED	BOOM STAND	CYMBAL STAND	HI-HAT	PEDAL	SNARE STAND	MSRP
HP7004B	Double	B700 (x2)		H700	No Pedal	S700	529.00
HP5005	Double	B500	C500	H500	P500	S500	426.00
HP3104B	Single	B310 (x2)		H310	No Pedal	S310	359.00

NEW SATURN IV MH EDITION

Outside of the new features, the unmistakable sound of the Maple and Walnut hybrid shell continues as Saturn's most valued and distinguished feature. Rack toms sing with clarity and warmth, floor toms sound bigger and deeper than their size, and bass drums produce a dense punch and full boom. The MH Edition kits are all fitted with chrome hardware and are available in six new finishes.

SATURN IV MH APPOINTMENTS

- **NEW** SONIClear Rack Tom Suspension
- **NEW** SONIClear Floor Tom Legs
- **NEW** Low-Contact Die-Cast Cushioned Bass Drum Claws
- **NEW** Memory-Mark Bass Drum Spurs
- **NEW** Optional Free Floating Bass Drum Tom Mount
- **UPGRADED** Sleek Single Point Contact Black Panther Lugs
- **UPGRADED** Black Panther Piston Strainer
- 2.3mm Sonic Power Hoops
- Remo Emperor Clear batter heads
- Remo P3 batter bass heads

Shell & Hardware Specifications

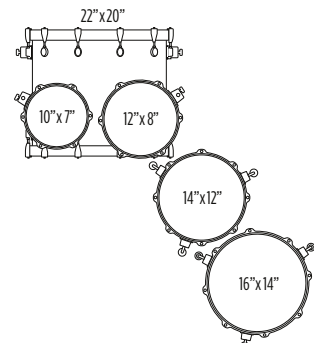
7.5mm, 8ply Maple/Walnut Hybrid Bass Drum Shells, 5.1mm, 6ply Maple/Walnut Hybrid Tom & Snare Shells, Hand Applied Lacquer Finishes & Mapex Custom Coverings, Chrome Hardware

Finish Options

PH	Red and Blue Hybrid Sparkle	CL	Merlot Burst
QL	Granite Sparkle	PC	Red Strata Pearl Custom Wrap
TW	Transparent Espresso Walnut	MA	Marine Spiral Custom Wrap

SNM628XF - 5PC STUDIOEASE SHELL PACK (Short Toms - Deep Bass Drums)

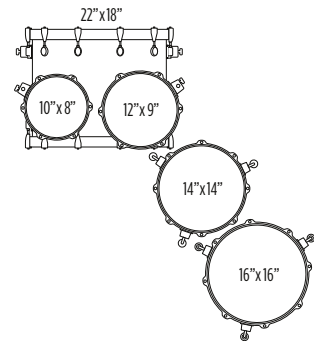
22"x20" Bass Drum No Mount, 10"x7" & 12"x8" Toms, 14"x12" & 16"x14" Floor Toms, No Snare, SONIClear Floor Tom Legs (x6), TH687S (X2), AC910 (X2)



MODEL	HARDWARE	MSRP
SNM628XF	Chrome	2,679.00

SNM628X - 5PC STUDIOEASE SHELL PACK

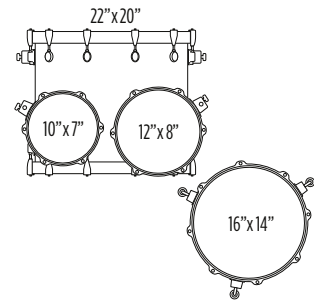
22"x18" Bass Drum No Mount, 10"x8" & 12"x9" Toms, 14"x14" & 16"x16" Floor Toms, No Snare, SONIClear Floor Tom Legs (x6), TH687S (X2), AC910 (X2)



MODEL	HARDWARE	MSRP
SNM628X	Chrome	2,679.00

SNM529XF - 4PC ROCK SHELL PACK (Short Toms - Deep Bass Drums)

22"x20" Bass Drum No Mount, 10"x7" & 12"x8" Toms, 16"x14" Floor Toms, No Snare, SONIClear Floor Tom Legs (x3), TH687S (X2), AC910 (X2)

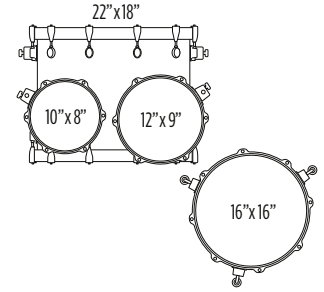


MODEL	HARDWARE	MSRP
SNM529XF	Chrome	2,149.00

NEW SATURN IV MH EDITION

SNM529X - 4PC ROCK SHELL PACK

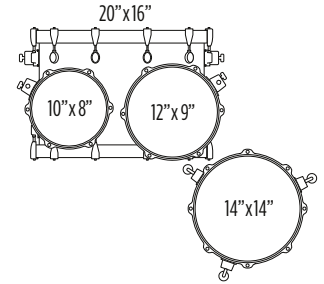
22"x18" Bass Drum No Mount, 10"x8" & 12"x9" Toms, 16"x16" Floor Toms, No Snare, SONIClear Floor Tom Legs (x3), TH687S (X2), AC910 (X2)



MODEL	HARDWARE	MSRP
SNM529X	Chrome	2,149.00

SNM504X - 4PC JAZZ SHELL PACK

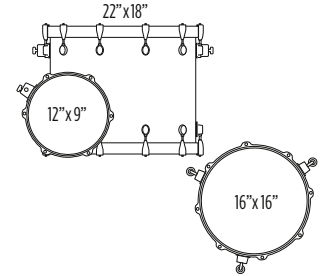
20"x16" Bass Drum No Mount, 10"x8" & 12"x9" Toms, 14"x14" Floor Toms, No Snare, SONIClear Floor Tom Legs (x3), TH687S (X2), AC910 (X2)



MODEL	HARDWARE	MSRP
SNM504X	Chrome	2,149.00

SNM426X - 3PC ROCK SHELL PACK

22"x18" Bass Drum No Mount, 12"x9" Toms, 16"x16" Floor Toms, No Snare, SONIClear Floor Tom Legs (x3), TH687S (x1), AC910 (x1)



MODEL	HARDWARE	MSRP
SNM426X	Chrome	1,829.00

NEW FALCON HARDWARE PACKS - (ORDER FALCON HW PACK WITH ANY SATURN IV MH SHELL PACK AND RECEIVE ELITE PRICING)

MODEL	BRACED	BOOM STAND	CYMBAL STAND	HI-HAT	PEDAL	SNARE STAND	MSRP
WITH SINGLE PEDAL	Double	BF1000 (x2)	-	HF1000	PF1000	SF1000	1,285.00
WITH DOUBLE PEDAL	Double	BF1000 (x2)	-	HF1000	PF1000TW	SF1000	1,635.00

MAPEX HARDWARE PACKS

MODEL	BRACED	BOOM STAND	CYMBAL STAND	HI-HAT	PEDAL	SNARE STAND	MSRP
HP7004B	Double	B700 (x2)		H700	No Pedal	S700	529.00
HP5005	Double	B500	C500	H500	P500	S500	426.00
HP3104B	Single	B310 (x2)		H310	No Pedal	S310	359.00

ORDERING INFORMATION: To specify model and finish color, order as shown:

SNM628XF XX

SNM628XF = Model XX = Finish
(SNM628XF in Merlot Burst = SNM628XFCL)

NEW SATURN IV MH EDITION

COMPONENTS – BASS DRUMS WITH CHROME HARDWARE (ALL BASS DRUMS WITH NO TOM MOUNTS)

MODEL	SIZE	MSRP
SNMB1814A	18"x14"	929.00
SNMB2016A	20"x16"	1,059.00
SNMB2018A	20"x18"	1,059.00
SNMB2020A	20"x20"	1,059.00
SNMB2216A	22"x16"	1,119.00
SNMB2218A	22"x18"	1,119.00
SNMB2220A	22"x20"	1,119.00
SNMB2418A	24"x18"	1,219.00
SNMGB1816	18"x16" (Gong Bass)	929.00

COMPONENTS – FLOOR TOMS WITH CHROME HARDWARE

MODEL	SIZE	MSRP
SNMF1412	14"x12"	549.00
SNMF1414	14"x14"	549.00
SNMF1614	16"x14"	579.00
SNMF1616	16"x16"	579.00
SNMF1816	18"x16"	609.00

COMPONENTS – TOMS WITH CHROME HARDWARE

MODEL	SIZE	MSRP
SNMT807	8"x7"	289.00
SNMT808	8"x8"	289.00
SNMT1007	10"x7"	319.00
SNMT1008	10"x8"	319.00
SNMT1208	12"x8"	339.00
SNMT1209	12"x9"	339.00
SNMT1310	13"x10"	399.00
SNMT1412	14"x12"	439.00

COMPONENTS – SNARE DRUMS WITH CHROME HARDWARE

MODEL	SIZE	MSRP
SNMS3550	13"x5.5"	469.00
SNMS4550	14"x5.5"	479.00
SNMS4650	14"x6.5"	489.00

NEW SATURN IV MH EXOTIC EDITION

Like the MH Edition, the shells are the classic Saturn Maple and Walnut hybrid. However, that's where the comparison ends. The Exotics all come standard with black chrome hardware and are available in five distinct burl finishes with exquisite figuring. Players will have a hard time deciding on their favorite finish. And even if they can, they won't be sure whether they want to play them...or just stare at them.

SATURN IV MH APPOINTMENTS

- **NEW** SONIClear Rack Tom Suspension
- **NEW** SONIClear Floor Tom Legs
- **NEW** Low-Contact Die-Cast Cushioned Bass Drum Claws
- **NEW** Memory-Mark Bass Drum Spurs
- **NEW** Optional Free-floating Bass Drum Tom Mount
- **UPGRADE** Sleek Single Point Contact Black Panther Lugs
- **UPGRADE** Black Panther Piston Strainer
- 2.3mm Sonic Power Hoops
- Remo Emperor Clear Batter Heads
- Remo P3 Batter bass heads

Shell & Hardware Specifications

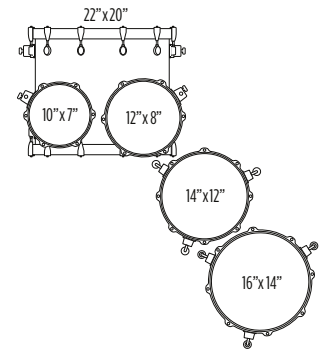
8.55mm, 9ply Maple/Walnut Hybrid Bass Drum Shells, 6.15mm, 7ply Maple/Walnut Hybrid Tom & Snare Shells, Hand Selected Figured Wood & Hand Applied Lacquer Finishes, Black Chrome Hardware

Finish Options

SNL	Natural Ash Burl	SSL	Deep Water Ash Burl
RLE	Cherry Mist Rosewood Burl	KFB	Satin Black Maple Burl
SWV	Transparent Ash Burl Burst		

SNM628XFB - 5PC STUDIOEASE SHELL PACK (Short Toms - Deep Bass Drums)

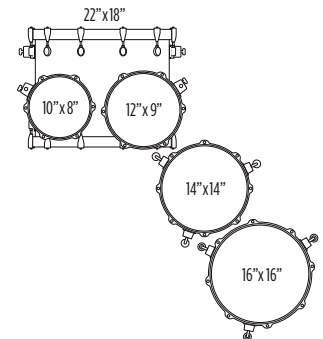
22"x20" Bass Drum No Mount, 10"x7" & 12"x8" Toms, 14"x12" & 16"x14" Floor Toms, No Snare, SONIClear Floor Tom Legs (x6), TH687S (X2), AC910 (X2)



MODEL	HARDWARE	MSRP
SNM628XFB	Black Chrome	3,049.00

SNM628XB - 5PC STUDIOEASE SHELL PACK

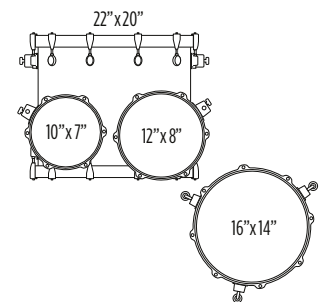
22"x18" Bass Drum No Mount, 10"x8" & 12"x9" Toms, 14"x14" & 16"x16" Floor Toms, No Snare, SONIClear Floor Tom Legs (x6), TH687S (X2), AC910 (X2)



MODEL	HARDWARE	MSRP
SNM628XB	Black Chrome	3,049.00

SNM529XFB - 4PC ROCK SHELL PACK (Short Toms - Deep Bass Drums)

22"x20" Bass Drum No Mount, 10"x7" & 12"x8" Toms, 16"x14" Floor Toms, No Snare, SONIClear Floor Tom Legs (x3), TH687S (X2), AC910 (X2)

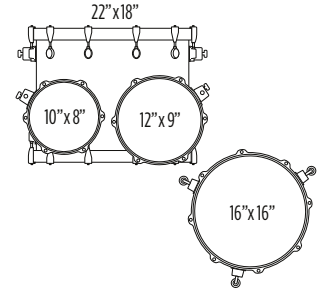


MODEL	HARDWARE	MSRP
SNM529XFB	Black Chrome	2,599.00

NEW SATURN IV MH EXOTIC EDITION

SNM529XB - 4PC ROCK SHELL PACK

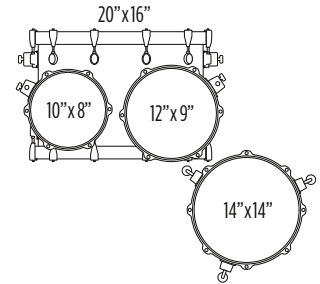
22"x18" Bass Drum No Mount, 10"x8", 12"x9" Toms, 16"x16" Floor Toms, No Snare
SONIClear Floor Tom Legs (x3), TH687S (X2), AC910 (X2)



MODEL	HARDWARE	MSRP
SNM529XB	Black Chrome	2,599.00

SNM504XB - 4PC JAZZ SHELL PACK

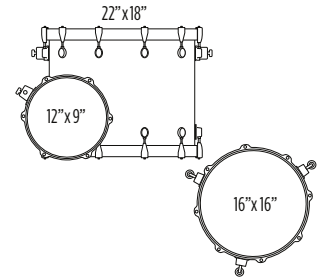
20"x16" Bass Drum No Mount, 10"x8" & 12"x9" Toms, 14"x14" Floor Toms, No Snare,
SONIClear Floor Tom Legs (x3), TH687S (X2), AC910 (X2)



MODEL	HARDWARE	MSRP
SNM504XB	Black Chrome	2,599.00

SNM426XB - 3PC ROCK SHELL PACK

22"x18" Bass Drum No Mount, 12"x9" Toms, 16"x16" Floor Toms, No Snare,
SONIClear Floor Tom Legs (x3), TH687S (X1), AC910 (X1)



MODEL	HARDWARE	MSRP
SNM426XB	Black Chrome	2,269.00

NEW FALCON HARDWARE PACKS - (ORDER FALCON HW PACK WITH ANY SATURN IV MH SHELL PACK AND RECEIVE ELITE PRICING)

MODEL	BRACED	BOOM STAND	CYMBAL STAND	HI-HAT	PEDAL	SNARE STAND	MSRP
WITH SINGLE PEDAL	Double	BF1000 (x2)	-	HF1000	PF1000	SF1000	1,285.00
WITH DOUBLE PEDAL	Double	BF1000 (x2)	-	HF1000	PF1000TW	SF1000	1,635.00

MAPEX HARDWARE PACKS

MODEL	BRACED	BOOM STAND	CYMBAL STAND	HI-HAT	PEDAL	SNARE STAND	MSRP
HP7004B	Double	B700 (x2)		H700	No Pedal	S700	529.00
HP5005	Double	B500	C500	H500	P500	S500	426.00
HP3104B	Single	B310 (x2)		H310	No Pedal	S310	359.00

ORDERING INFORMATION: To specify model and finish color, order as shown:

SNM529XFB XXX

SNM529XFB = Model XXX = Finish
(SNM529XFB in Satin Black Maple Burl = SNM529XFBKFB)



SATURN IV MH EXOTIC EDITION

COMPONENTS – BASS DRUMS WITH BLACK CHROME HARDWARE (ALL BASS DRUMS WITH NO TOM MOUNTS)

MODEL	SIZE	MSRP
SNMB1814BA	18"x14"	1089.00
SNMB2016BA	20"x16"	1249.00
SNMB2018BA	20"x18"	1249.00
SNMB2020BA	20"x20"	1249.00
SNMB2216BA	22"x16"	1299.00
SNMB2218BA	22"x18"	1299.00
SNMB2220BA	22"x20"	1299.00
SNMB2418BA	24"x18"	1379.00
SNMGB1816B	18"x16" (Gong Bass)	1089.00

COMPONENTS – FLOOR TOMS WITH BLACK CHROME HARDWARE

MODEL	SIZE	MSRP
SNMF1412B	14"x12"	639.00
SNMF1414B	14"x14"	639.00
SNMF1614B	16"x14"	669.00
SNMF1616B	16"x16"	669.00
SNMF1816B	18"x16"	699.00

COMPONENTS – TOMS WITH BLACK CHROME HARDWARE

MODEL	SIZE	MSRP
SNMT807B	8"x7"	339.00
SNMT808B	8"x8"	339.00
SNMT1007B	10"x7"	389.00
SNMT1008B	10"x8"	389.00
SNMT1208B	12"x8"	399.00
SNMT1209B	12"x9"	399.00
SNMT1310B	13"x10"	469.00
SNMT1412B	14"x12"	519.00

COMPONENTS – SNARE DRUMS WITH BLACK CHROME HARDWARE

MODEL	SIZE	MSRP
SNMS3550B	13"x5.5"	529.00
SNMS4550B	14"x5.5"	539.00
SNMS4650B	14"x6.5"	559.00

MERIDIAN MAPLE SERIES

MERIDIAN MAPLE APPOINTMENTS

- Isolated Mounting System
- Spring Loaded Floor Tom Legs
- Die-Cast Cushioned Bass Drum Claws
- Single-Point-of-Contact Lugs
- 2.3mm Power Hoops
- All Bass drums have no bass drum mount (except for MP504S)
- Instructional Setup DVD Included
- Remo Coated Batter Drumheads Single Ply / Self Muffling Bass Drum Head

Shell and Hardware Specifications

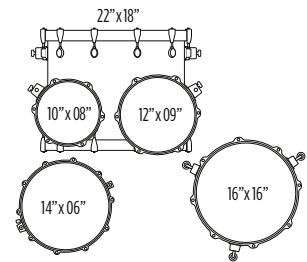
7.2mm, 7ply Maple Bass Drum Shells, 5.8mm, 7ply, Maple Tom & Snare Shells, Hand Applied Lacquer Finishes, Chrome Hardware and Black Hardware

Finish Options

CY	Transparent Cherry
GA	Galaxy Fade Sparkle
NL	Transparent Natural
PB	Polished Black
SV	Supernova Burst

MP529SJA - MERIDIAN MAPLE 5PC "ROCK" SHELL PACK

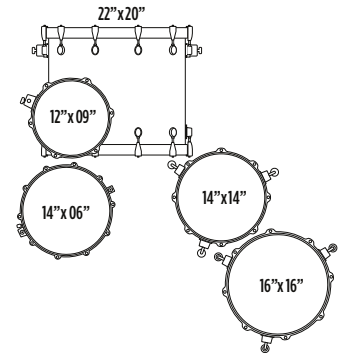
22"x18" Bass Drum no Mount, 10"x8" & 12"x9" Toms, 16"x16" Floor Tom, 14"x6" Snare, Floor Tom Legs (x3), TH687S (x2), AC910 (x2)



MODEL	HARDWARE	FINISH	MSRP
MP529SJA	Chrome	CY, NL	1,249.00
MP529SJBA	Black	GA, PB, SV	1,249.00
with HP7004B	B700 (2), H700, S700, No Pedal Double Braced		1,778.00
with HP5005	B500, C500, H500, S500, P500 Double Braced		1,675.00

MP528SJ - MERIDIAN MAPLE 5PC "BIG ROCK 22" SHELL PACK

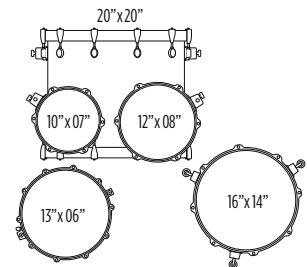
22"x20" Bass Drum no Mount, 12"x9" Tom, 14"x14" & 16"x16" Floor Toms, 14"x6" Snare, Floor Tom Legs (x6), TH687S (x1), AC910 (x1)



MODEL	HARDWARE	FINISH	MSRP
MP528SJ	Chrome	CY, NL	1,299.00
MP528SJB	Black	GA, PB, SV	1,299.00
with HP7004B	B700 (2), H700, S700, No Pedal Double Braced		1,828.00
with HP5005	B500, C500, H500, S500, P500 Double Braced		1,725.00

MP509FSJ - MERIDIAN MAPLE 5PC "THE SMASHER" SHELL PACK

20"x20" Bass Drum no Mount, 10"x7" & 12"x8" Toms, 16"x14" Floor Tom, 13"x6" Snare, Floor Tom Legs (x3), TH687S (x2), AC910 (x2)



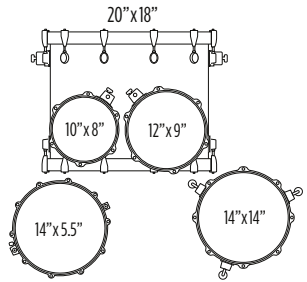
MODEL	HARDWARE	FINISH	MSRP
MP509FSJ	Chrome	CY, NL	1,299.00
MP509FSJB	Black	GA, PB, SV	1,299.00
with HP7004B	B700 (2), H700, S700, No Pedal Double Braced		1,828.00
with HP5005	B500, C500, H500, S500, P500 Double Braced		1,725.00

MERIDIAN MAPLE SERIES

NEW

MP504SJ - MERIDIAN MAPLE 5PC "JAZZ" SHELL PACK

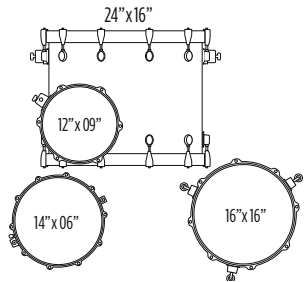
20"x18" Bass Drum With Mount, 10"x8" & 12"x9" Toms, 14"x14" Floor Tom, 14"x5.5" Snare, 34671880A Floor Tom Legs (x3), TH676 (x1)



MODEL	HARDWARE	FINISH	MSRP
MP504SJ	Chrome	CY, NL	1,249.00
with HP7004B	B700 (2), H700, S700, No Pedal Double Braced		1,778.00
with HP5005	B500, C500, H500, S500, P500 Double Braced		1,675.00

MP446SJ - MERIDIAN MAPLE 4PC "ROCK 24" SHELL PACK

24"x16" Bass Drum No Mount, 12"x9" Tom, 16"x16" Floor Tom, 14"x6" Snare, 34671880A Floor Tom Legs (x3), TH687S (x1), AC910 (x1)



MODEL	HARDWARE	FINISH	MSRP
MP446SJ	Chrome	CY, NL	1,249.00
MP446SJB	Black	GA, PB, SV	1,249.00
with HP7004B	B700 (2), H700, S700, No Pedal Double Braced		1,778.00
with HP5005	B500, C500, H500, S500, P500 Double Braced		1,675.00

COMPONENTS - BASS DRUMS (ALL BASS DRUMS WITH TOM MOUNTS)

CHROME	BLACK	TYPE	SIZE	MSRP
MPB2016J	MPB2016JB	Bass Drum	20"x16"	860.00
MPB2218AJ	MPB2218AJB	Bass Drum	22"x18"	900.00
MPB2420J	MPB2420JB	Bass Drum	24"x20"	950.00

COMPONENTS - FLOOR TOMS

MPF1412J	MPF1412JB	Floor Tom	14"x12"	450.00
MPF1414J	MPF1414JB	Floor Tom	14"x14"	450.00
MPF1616J	MPF1616JB	Floor Tom	16"x16"	480.00
MPF1816J	MPF1816JB	Floor Tom	18"x16"	500.00

COMPONENTS - TOMS

MPT807J	MPT807JB	Tom	08"x7"	270.00
MPT808J	MPT808JB	Tom	08"x8"	270.00
MPT1008J	MPT1008JB	Tom	10"x8"	310.00
MPT1209J	MPT1209JB	Tom	12"x9"	350.00
MPT1310J	MPT1310JB	Tom	13"x10"	400.00
MPT1412J	MPT1412JB	Tom	14"x12"	440.00

ORDERING INFORMATION: To specify model and finish color, order as shown:

MP529SJBA XX

MP529SJBA = Model XX = Finish

(MP529SJBA in Super Nova Sparkle Burst = MP529SJBASV)

HORIZON BIRCH SERIES

HORIZON BIRCH APPOINTMENTS

- 14"x5.5" Hammered Steel MPX Snare Drum (Except for HZB581X)
- Isolated Mounting System
- Die-Cast Cushioned Bass Drum Claws
- Single-Point-of-Contact Lugs
- 1.5mm Steel Flanged Hoops
- Instructional Setup DVD Included
- Remo UX Drumheads / Self Muffling Bass Drum Head

Shell and Hardware Specifications

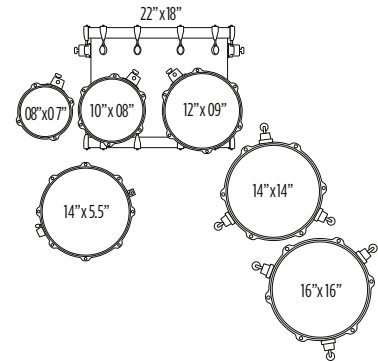
7.2mm, 6ply, Birch/Poplar Bass Drum, Tom & Snare Shells, Lacquer Finishes, Chrome Hardware, Black Hardware

Finish Options

CY	Transparent Cherry
MB	Transparent Midnight Black
RY	Transparent Rattan Yellow
SI	Transparent Sapphire Fade
WT	Transparent Walnut

HZB728SJ - HORIZON BIRCH 7PC SHELL PACK - 3 UP & 2 DOWN

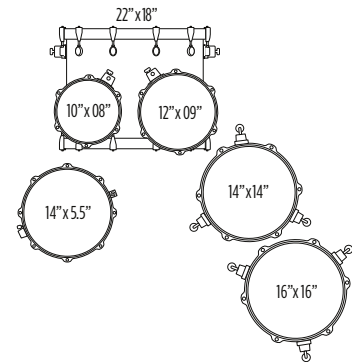
22"x18" Bass Drum with Mount, 08"x7", 10"x8" & 12"x9" Toms, 14"x14" & 16"x16" Floor Toms, 14"x5.5" Hammered Steel MPX Snare, Floor Tom Legs (x6), TH657, AC904 Clamp, 6701-024 L Arm



MODEL	HARDWARE	FINISH	MSRP
HZB728SJ	Chrome	MB, RY	1,149.00
HZB728SJB	Black	CY, SI, WT	1,149.00
with HP5005	B500, C500, H550, S500, P500 Double Braced		1,575.00

HZB628SJ - HORIZON BIRCH 6PC SHELL PACK - 2 DOWN

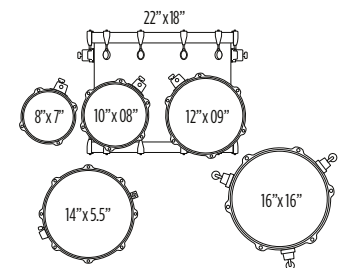
22"x18" Bass Drum with Mount, 10"x8" & 12"x9" Toms, 14"x14" & 16"x16" Floor Toms, 14"x5.5" Hammered Steel MPX Snare, Floor Tom Legs (x6), TH657



MODEL	HARDWARE	FINISH	MSRP
HZB628SJ	Chrome	MB, RY	1,089.00
HZB628SJB	Black	CY, SI, WT	1,089.00
with HP5005	B500, C500, H550, S500, P500 Double Braced		1,515.00

HZB629SJ - HORIZON BIRCH 6PC SHELL PACK - 3 UP

22"x18" Bass Drum with Mount, 08"x7", 10"x8" & 12"x9" Toms, 16"x16" Floor Tom, 14"x5.5" Hammered Steel MPX Snare, Floor Tom Legs (x3), TH657, AC904 Clamp, 6701-024 L Arm

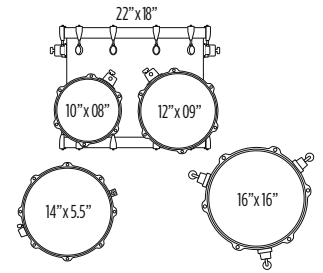


MODEL	HARDWARE	FINISH	MSRP
HZB629SJ	Chrome	MB, RY	1,049.00
HZB629SJB	Black	CY, SI, WT	1,049.00
with HP5005	B500, C500, H550, S500, P500 Double Braced		1,475.00

HORIZON BIRCH SERIES

HZB529SJ - HORIZON BIRCH 5PC ROCK SHELL PACK

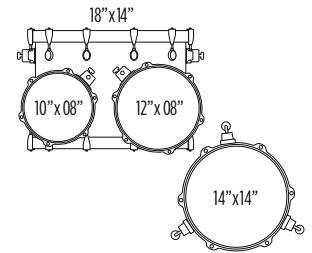
22"x18" Bass Drum with Mount, 10"x8" & 12"x9" Toms, 16"x16" Floor Tom, 14"x5.5" Hammered Steel MPX Snare, Floor Tom Legs (x3), TH657



MODEL	HARDWARE	FINISH	MSRP
HZB529SJ	Chrome	MB, RY	929.00
HZB529SJB	Black	CY, SI, WT	929.00
with HP5005	B500, C500, H550, S500, P500 Double Braced		1,355.00

HZB581X - HORIZON BIRCH 4PC "BIG CITY" SHELL PACK

18"x14" Bass Drum with Mount, 10"x8" & 12"x8" Toms, 14"x14" Floor Tom, No Snare, Floor Tom Legs (x3), TH657, TH653



MODEL	HARDWARE	FINISH	MSRP
HZB581X	Chrome	CY, MB, WT	759.00
with HP3104B	B310 X 2, H310, S310, No Pedal, Single Braced		1,118.00

HZBT807PK2 - ADD-ON TOM PACK

8"x7" Tom, AC904 Clamp + 6701-024 L Arm

MODEL	HARDWARE	FINISH	MSRP
HZBT807PK2	Chrome	MB, RY	220.00
HZBT807PKB2	Black	CY, SI, WT	220.00

COMPONENTS - BASS DRUMS (ALL BASS DRUMS WITH TOM MOUNTS)

CHROME	BLACK	TYPE	SIZE	MSRP
HZBB1814	HZBB1814B	Bass Drum	18"x14"	490.00
HZBB2018	HZBB2018B	Bass Drum	20"x18"	520.00
HZBB2218	HZBB2218B	Bass Drum	22"x18"	530.00

COMPONENTS - FLOOR TOMS

HZBF1414	HZBF1414B	Floor Tom	14"x14"	300.00
HZBF1616	HZBF1616B	Floor Tom	16"x16"	320.00
HZBF1816	HZBF1816B	Floor Tom	18"x16"	330.00

COMPONENTS - TOMS

HZBT807	HZBT807B	Tom	8"x7"	200.00
HZBT1310	HZBT1310B	Floor Tom	8"x8"	240.00

ORDERING INFORMATION: To specify model and finish color, order as shown:

HZB529SJB XX

HZB529SJB = Model XX = Finish

(HZB529SJB in Transparent Walnut = HZB529SJBWT)

VOYAGER SERIES

VOYAGER APPOINTMENTS

- Mapex 330 Double Braced Series Hardware (Except for VR5844TCUS)
- Cymbals Included
- Drum Throne Included
- 1.5mm Steel Flanged Hoops
- Remo UX Drum Heads with Self Muffling Bass Drumhead
- Instructional Setup DVD Included

SHELL AND HARDWARE SPECIFICATIONS

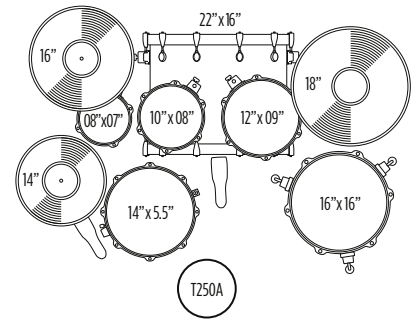
7.2mm Poplar Bass Drum, Tom & Snare Shells, Road Tuff Covered Finishes, Chrome Hardware and Black Coated Hardware

Finish Options

DK Black	YB Royal Blue NEW
DR Dark Red	CK Crystal Sparkle
SW Snow White	

VR6295TCZUS - 6PC "FULLY LOADED"

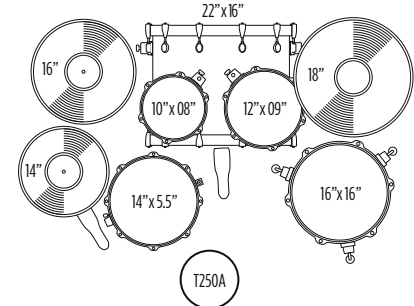
22"x16" Bass Drum with Mount, 08"x7", 10"x8" & 12"x9" Toms, 16"x16" Floor Tom, 14"x5.5" Snare, Floor Tom Legs (x3), TH656, AC904 Clamp + 6701-024 L Arm, 18" Ride, 16" Crash & 14" Hi-Hat Mapex Cymbals, B330 Boom, C330 Cymbal, H330 Hi-Hat, P330 Pedal, S330 Snare Stand, T250A Throne



MODEL	HARDWARE	FINISH	MSRP
VR6295TCZUS	Chrome	DK, DR, SW, YB	1,119.00
VR6295TCZBUS	Black	CK	1,119.00

VR5295TCZUS - 5PC "ROCK FULLY LOADED"

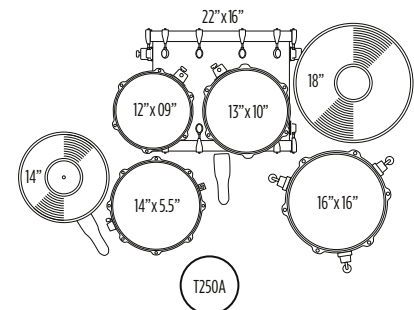
22"x16" Bass Drum with Mount, 10"x8" & 12"x9" Toms, 16"x16" Floor Tom, 14"x5.5" Snare, Floor Tom Legs (x3), TH656, 18" Ride, 16" Crash & 14" Hi-Hat Mapex Cymbals, B330 Boom, C330 Cymbal, H330 Hi-Hat, P330 Pedal, S330 Snare Stand, T250A Throne



MODEL	HARDWARE	FINISH	MSRP
VR5295TCZUS	Chrome	DK, DR, SW, YB	1,029.00
VR5295TCZBUS	Black	CK	1,029.00

VR5254TCZ - 5PC "STANDARD"

22"x16" Bass Drum with Mount, 12"x9" & 13"x10" Toms, 16"x16" Floor Tom, 14"x5.5" Snare, Floor Tom Legs (x3), TH656, 18" Ride & 14" Hi-Hat Mapex Cymbals, C330 Cymbal, H330 Hi-Hat, P330 Pedal, S330 Snare Stand, T250A Throne

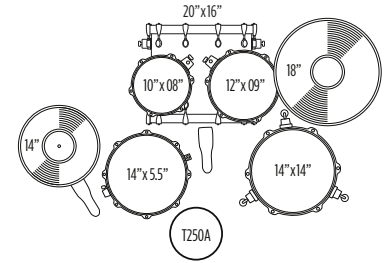


MODEL	HARDWARE	FINISH	MSRP
VR5254TCZ	Chrome	DK, DR, SW, YB	849.00
VR5254TCZB NEW	Black	CK	849.00

VOYAGER SERIES

VR5044TCZ - 5PC "JAZZ"

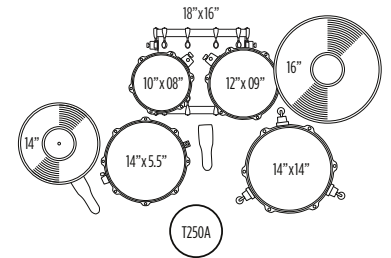
20"x16" Bass Drum with Mount, 10"x8" & 12"x9" Toms, 14"x14" Floor Tom, 14"x5.5" Snare, Floor Tom Legs (x3), TH656, 18" Ride and 14" Hi-Hat Mapex Cymbals, C330 Cymbal, H330 Hi-Hat, P330 Pedal, S330 Snare Stand, T250A Throne



MODEL	HARDWARE	FINISH	MSRP
VR5044TCZ	Chrome	DK, DR, SW, YB	849.00
VR5044TCZB NEW	Black	CK	849.00

VR5844TCUS - 5PC "BIG CITY"

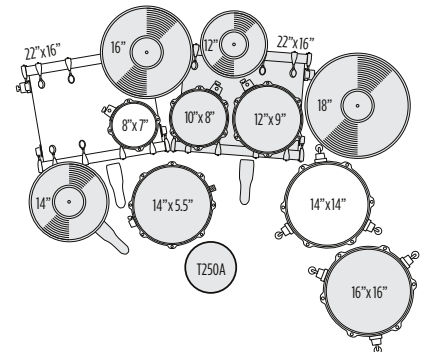
18"x16" Bass Drum with Mount, 10"x8" & 12"x9" Toms, 14"x14" Floor Tom, 14"x5.5" Snare, Floor Tom Legs (x3), TH656, 16" Ride and 14" Hi-Hat Cymbals, C300 Cymbal, H300 Hi-Hat, P300 Pedal, S300 Snare Stand, T250A Throne



MODEL	HARDWARE	FINISH	MSRP
VR5844TCUSC	Chrome	DR	729.00
VR5844TCBUS	Black	DK	729.00

VRBFT248PK - ADD-ON BASS DRUM, FLOOR TOM, TOM PACK

22"x16" Bass Drum with Mount, 8"x7" Tom, 14"x14" Floor Tom, Floor Tom Legs (x3), TH656, P330 Pedal



MODEL	HARDWARE	FINISH	MSRP
VRBFT248PK	Chrome	DK, DR, SW, YB	479.00
VRBFT248BPK	Black	CK	479.00

VRT807PKC - ADD-ON TOM PACK

8"x7" Tom, AC904 Clamp + 6701-024 L Arm

MODEL	HARDWARE	FINISH	MSRP
VRT807PK2	Chrome	DK, DR, SW, YB	200.00
VRT807PKB2	Black	CK	200.00

CYPK-B53CZPKM

B53 Boom Arm with 10" Mapex Splash Cymbal

MSRP
90.00

ORDERING INFORMATION: To specify model and finish color, order as shown:

VR5254TCZ XX

VR 5254TCZ = Model XX = Finish
(VR5254TCZ in Black = VR5254TCZDK)

BLACK PANTHER SNARE DRUMS

NAME	MODEL NUMBER	SIZE	SHELL	MSRP
BLASTER	BPML3700LNWU	13"x7"	10ply Maple, Walnut Edge-Rings	539.00
BLADE	BPST4551LN	14"x5.5"	1mm Steel	469.00
BLACK WIDOW	BPML4500LNTB	14"x5"	6ply Maple	469.00
BRASS CAT	BPBR4551ZN	14"x5.5"	1.2mm Brass	579.00
STINGER	BPST0551CN	10"x5.5"	1mm Steel	389.00
PHANTOM	BPBW2500CNWA	12"x5"	6ply Birch/Walnut Hybrid	469.00
FASTBACK	BPML2700CNIT	12"x7"	6ply Maple	469.00
CHERRY BOMB	BPCW3550CNCY	13"x5.5"	6ply Cherry	469.00
MACHETE	BPST4651LN	14"x6.5"	1mm Steel	539.00
VELVETONE	BPMW4550CNUB	14"x5.5"	9ply Maple/Walnut Hybrid	599.00
SLEDGE HAMMER	BPBR465HZN	14"x6.5"	1.2mm Hammered Brass	609.00
PHATBOB	BPML4700TLNTB	14"x7"	10ply Thick-maple	699.00
RETROSONIC	BPWB4550CNCN	14"x5.5"	9 ply Walnut	759.00
NOMAD NEW	BPBR3601LNM	13"x6"	1.2mm Brass	729.00

MPX SNARE DRUMS

MODEL NO.	SIZE	TYPE	SHELL FINISH	MSRP
MPML3600CNL	13"x6"	Maple	Gloss Natural	259.00
MPML3600BMB	13"x6"	Maple	Transparent Black	259.00
MPML4550CNL	14"x5.5"	Maple	Gloss Natural	259.00
MPML4550BMB	14"x5.5"	Maple	Transparent Black	259.00
MPML4800BMB	14"x8"	Maple	Transparent Black	259.00
MPBC3600BMB	13"x6"	Birch	Transparent Black	259.00
MPBC4550CXN	14"x5.5"	Birch	Gloss Natural	259.00
MPBC4550BMB	14"x5.5"	Birch	Transparent Black	259.00
MPST4550	14"x5.5"	Steel	Chrome	259.00
MPST3354	13"x3.5"	Steel	Chrome	259.00
MPST0554	10"x5.5"	Steel	Chrome	259.00
MPST2506H NEW	12"x5"	Steel	Hammered Steel	259.00
MPST4558H NEW	14"x5.5"	Steel	Hammered Steel	259.00
MPST4658H NEW	14"x6.5"	Steel	Hammered Steel	259.00

MAPEX SNARE DRUMS

MODEL NO.	SIZE	SHELL FINISH	MSRP
MPBW4350CDK (Poplar)	14"x3.5"	Black	129.00
MPST4351 (Steel)	14"x3.5"	Chrome	119.00

NEW

FALCON SERIES HARDWARE	BOX QTY	MSRP
Falcon PF1000 Single	2	359.00
Falcon PF1000TW Double Pedal	1	709.00
Falcon PF1000LTW Double Pedal Left Lead	1	709.00
Falcon BF1000 Boom Stand	4	209.00
Falcon HF1000 Hi-Hat Stand	4	339.00
Falcon SF1000 Snare Stand	4	169.00

BASS DRUM PEDALS	BOX QTY	MSRP
Falcon PF1000 Single Pedal NEW	2	359.00
Falcon PF1000TW Double Pedal NEW	1	709.00
Falcon PF1000LTW Double Pedal Left Lead NEW	1	709.00
Raptor P900D Direct Drive Single Pedal	4	219.00
Raptor P900DTW Direct Drive Double Pedal	4	449.00
Raptor P900DLTW Direct Drive Double Pedal Left Lead	4	449.00
P710 Double Chain Single Pedal	4	149.00
P710TW Double Chain Double Pedal	4	339.00
P710LTW Double Chain Double Pedal Left Lead	4	339.00
P500 Single Chain Single Pedal	4	89.00
P500TW Single Chain Double Pedal	4	199.00

BOOM STANDS	BOX QTY	MSRP
Falcon BF1000 NEW	4	209.00
B995A Double Braced	2	389.00
B990A Double Braced	2	359.00
B700 Double Braced	4	149.00
B710 with Counter Weight Double Braced	4	169.00
B600 Double Braced NEW	4	119.00
B330 Double Braced	4	99.00

STRAIGHT CYMBAL STANDS	BOX QTY	MSRP
C700 Double Braced	4	139.00
C500 Double Braced	4	99.00

HI-HAT STANDS	BOX QTY	MSRP
Falcon HF1000 NEW	4	339.00
H700 Double Brace	4	189.00
H500 Double Brace	4	139.00
CH72	6	169.00

SNARE STANDS	BOX QTY	MSRP
Falcon SF1000 NEW	4	169.00
S700 Double Brace	4	129.00
S500 Double Brace	4	89.00

DRUM THRONES	BOX QTY	MSRP
T270A Round Top	4	94.00
T561A Round Top	4	119.00
T570A Round Top	4	139.00
T575A Saddle Top	4	169.00
T750A Round Top	4	179.00
T755A Saddle Top	4	199.00
T765A Saddle Top Cloth	4	229.00
T770 Round Top w/ Back Rest	2	259.00
T775 Saddle Top w/ Back rest	2	259.00

TOM STANDS / COMBINATION STANDS	BOX QTY	MSRP
TS700 Double Brace	4	249.00
TS950A Double Brace	2	309.00
TS960A Double Brace	2	339.00
TS965A Double Brace	2	359.00

HARDWARE PACKS	BOX QTY	MSRP
HP7004B / Double Brace	-	529.00
HP5005 / Double Brace	-	426.00
HP3104B / Single Brace	-	359.00

MAPEX ACCESSORIES

NEW FALCON HARDWARE ACCESSORIES

MODEL	DESCRIPTION	BOX QTY	MSRP
ACF-DD	Falcon Direct Drive Single Pack	20	114.99
ACF-BPK	Falcon Single BD Beater Pack w/ Weights	20	48.99
ACF-HC	Falcon Hihat Clutch w/ Quick Release Lock Nut	20	37.99
ACF-SD	Falcon Strap Drive	20	28.99
ACF-BN	Falcon Quick Release Cymbal Lock	20	22.99
ACF-HN	Falcon Quick Release Hihat Lock	20	22.99

CLAMPS

AC902	Dual-Angle Adjustable Multi-Purpose Clamp	12	39.00
AC903	Combination Center-Ratchet Adjustable Multi-Purpose Clamp	12	48.00
AC904	Adjustable Clamp	12	39.00
AC906	Bass Drum/Hi-Hat Attachment Clamp	12	74.00
AC908	Cymbal/Tom Arm and Multi-Purpose with Center Hole (Fits Most Stands)	12	39.00
AC909	Adjustable Bass Drum Lift for Mapex Bass Drums	12	29.00
AC910	Horizontal Adjustable Multi-Purpose Clamp	12	28.00
AC911	Add-On Boom Arm with Combination Multi-Clamp	12	74.00
AC912	Cowbell / Accessory Holder for Bass Drum	12	33.00
AC913	Cowbell / Accessory Holder for Cymbal Stand	12	45.00

BOOM ARMS

B53	Two Piece Hideaway Boom Cymbal Arm / Ratchet Tilter (12") Tube size: 3/4"	12	47.00
B74	Two Piece Hideaway Boom Cymbal Arm / Stepless Tilter (12") Tube size: 3/4"	12	68.00
B75	Two Piece Hideaway Boom cymbal arm / Omni-Ball Tilter (12") Tube size: 7/8"	12	75.00
B78	Two Piece Hideaway Boom Cymbal Arm / Omni-Ball Tilter (20.1") with 2.2 lb. counterweight Tube size: 7/8"	12	87.00

TOM HOLDERS

TH653	Single Tom Holder for Horizon/Voyager (25.4mm - 1")	6	99.00
TH654	Single Tom Holder for Meridian (25.4mm - 1")	6	89.00
TH656	Double Tom Holder for Voyager (25.4mm - 1")	6	119.00
TH657	Double Tom Holder for Horizon (25.4mm - 1")	6	119.00
TH676	Double Tom Holder for Meridian (25.4mm - 1")	6	130.00
TH682	Double Tom Holder for Saturn (25.4mm - 1" / 22.2mm - 87 of an inch)	6	289.00
TH683	Single Tom Holder for SW/Orion (25.4mm - 1" / 22.2mm - 87 of an inch)	12	113.00
TH684	Single Tom Holder for SW/Orion (Clamp Mount) (25.4mm - 1")	12	86.00
* THBM2218A	NEW Saturn IV Chrome Bass Drum Mount Assembly - 22x18"	1	339.00
* THBM2018A	NEW Saturn IV Chrome Bass Drum Mount Assembly - 20x18"	1	339.00
* THBM2216A	NEW Saturn IV Chrome Bass Drum Mount Assembly - 22x16"	1	339.00
* THBM2016A	NEW Saturn IV Chrome Bass Drum Mount Assembly - 20x16"	1	339.00
* THBM2218BA	NEW Saturn IV Black Chrome Bass Drum Mount Assembly - 22x18"	1	469.00
* THBM2018BA	NEW Saturn IV Black Chrome Bass Drum Mount Assembly - 20x18"	1	469.00
* THBM2216BA	NEW Saturn IV Black Chrome Bass Drum Mount Assembly - 22x16"	1	469.00
* THBM2016BA	NEW Saturn IV Black Chrome Bass Drum Mount Assembly - 20x16"	1	469.00

* Includes Lug Casings, Rails, Mounting Bracket, Tom Holder, and Tom Arms

MISCELLANEOUS ACCESSORIES

KZWA059	Mapex Logo Drum Key		4.00
PRPD-08	Mapex 8" Practice Pad		43.00
PRPD-12	Mapex 12" Practice Pad		58.00
3480-355X	OS Cymbal Accentuators		4.00
3481-355X	Multi-Sustain Cymbal Felts		4.00
2680-346A	Hi-Hat Clutch for H950A, H750A, H550A, H350A		15.00
2670-346A	Hi-Hat Clutch for H320A, H300A, H500, H330		15.00
2681-346A	Hi-Hat Clutch for H700 with Multi-Sustain Felts		15.00
4680-515A	Tri-Tonal Bass Drum Pedal Beater		12.00

SPLASH CYMBAL

CYPK-B53CZPKM	10" Mapex Splash with B53 Boom Arm for Voyager/Horizon	1	99.00
---------------	--	---	-------

BAGS & BAG SETS

MODEL	DESCRIPTION	BOX QTY	MSRP
DB-T04204	Mapex Drum Bag Set for 5044/Jazz Configuration	1	169.00
DB-T26204	Mapex Drum Bag Set for 5295/SRO Configuration	1	169.00
DB-T26324	Mapex Drum Bag Set for 5255/Standard Configuration	1	169.00
PDBG4835	Mapex Single Pedal Bag	1	79.00
PDBG4500TW	Mapex Double Pedal Bag	1	99.00
PMK-M113	Mapex Hardware Bag	1	199.00

SONIC SAVER HOOPS

0147-1006	10" Sonic Saver Hoop, Batter Side, Chrome Plated		68.00
0147-10061	10" Sonic Saver Hoop, Snare Side, Chrome Plated		68.00
0147-1208	12" Sonic Saver Hoop, Batter Side, Chrome Plated		68.00
0147-12081	12" Sonic Saver Hoop, Snare Side, Chrome Plated		68.00
0147-1308	13" Sonic Saver Hoop, Batter Side, Chrome Plated		74.00
0147-13081	13" Sonic Saver Hoop, Snare Side, Chrome Plated		74.00
0147-1308BB	13" Sonic Saver Hoop, Batter Side, Brushed Black Plated		74.00
0147-13081BB	13" Sonic Saver Hoop, Snare Side, Brushed Black Plated		74.00
0147-1410	14" Sonic Saver Hoop, Batter Side, Chrome Plated		79.00
0147-14101	14" Sonic Saver Hoop, Snare Side, Chrome Plated		79.00
0147-1410BB	14" Sonic Saver Hoop, Batter Side, Brushed Black Plated		79.00
0147-14101BB	14" Sonic Saver Hoop, Snare Side, Brushed Black Plated		79.00
0147-1410AB	14" Sonic Saver Hoop, Batter Side, Brushed Brass Plated		79.00
0147-14101AB	14" Sonic Saver Hoop, Snare Side, Brushed Brass Plated		79.00

MAPEX LOGO BASS DRUM HEADS

0318-620BB-MP	20" Remo Weatherking Ebony Powerstroke Head with White Mapex Logo		119.00
0318-622BB-MP	22" Remo Weatherking Ebony Powerstroke Head with White Mapex Logo		128.00
0318-624BB-MP	24" Remo Weatherking Ebony Powerstroke Head with White Mapex Logo		133.00
0334-618CB-MP	18" Remo Ebony UT Self Muffling Head with White Mapex Logo		32.00
0334-620CB-MP	20" Remo Ebony UT Self Muffling Head with White Mapex Logo		36.00
0334-622CB-MP	22" Remo Ebony UT Self Muffling Head with White Mapex Logo		38.00
0334-624CB-MP	24" Remo Ebony UT Self Muffling Head with White Mapex Logo		43.00
0237-K18CB-MP	18" Bass Drum, UC White Coated + Muffler Ring		32.00
0237-K20CB-MP	20" Bass Drum, UC White Coated + Muffler Ring		32.00
0237-K22CB-MP	22" Bass Drum, UC White Coated + Muffler Ring		38.00
0237-K24CB-MP	24" Bass Drum, UC White Coated + Muffler Ring		43.00
0237-K18CB-MPZ	18" Bass Drum, White Coated + Muffler Ring with Stripe Logo		32.00
0237-K20CB-MPZ	20" Bass Drum, UC White Coated + Muffler Ring with Stripe Logo		32.00
0237-K22CB-MPZ	22" Bass Drum, White Coated + Muffler Ring with Stripe Logo		38.00
0237-K24CB-MPZ	24" BD, White Coated + Muffler Ring w/ Stripe Logo		38.00
0237-K24CB-MPZ	24" Bass Drum, White Coated + Muffler Ring with Stripe Logo		38.00
0318-618BB-MPN	REMO WK EBONY PK3 FRONT HEAD, for 18" w/ SILVER NEW LOGO		119.00
0318-620BB-MPN	REMO WK EBONY PK3 FRONT HEAD, for 20" w/ SILVER NEW LOGO		119.00
0318-622BB-MPN	REMO WK EBONY PK3 FRONT HEAD, for 22" w/ SILVER NEW LOGO		119.00
0318-624BB-MPN	REMO WK EBONY PK3 FRONT HEAD, for 24" w/ SILVER NEW LOGO		119.00
0237-K18CB-MPNZ	REMO UC WHITE FRONT HEAD, for 18" w/STRIPED BLACK NEW LOGO		32.00
0237-K20CB-MPNZ	REMO UC WHITE FRONT HEAD, for 20" w/STRIPED BLACK NEW LOGO		38.00
0237-K22CB-MPNZ	REMO UC WHITE FRONT HEAD, for 22" w/STRIPED BLACK NEW LOGO		38.00

SNARE WIRES

1S582850A	20 Strands, Chrome Plating for 10"		12.00
1A394850A	20 Strands, Chrome Plating for 12"		12.00
1K394850A	20 Strands, Chrome Plating for 13"		12.00
18794850A	20 Strands, Chrome Plating for 14"		12.00
1F6W0850	42 Strands, Chrome Plating for 13"		24.00
187W0850	42 Strands, Chrome Plating for 14"		24.00
1S584850A	16 Strands, Stainless for 10"		28.00
1A396850A	20 Strands, Stainless for 12"		28.00
1K396850A	20 Strands, Stainless for 13"		28.00
18796850A	20 Strands, Stainless for 14"		28.00



KHS AMERICA, INC.
12020 Eastgate Blvd, Mount Juliet, TN 37122
ph 888.627.3987 | fax 615.793.2070
mapex@mapexdrums.com
usa.mapexdrums.com